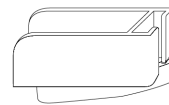
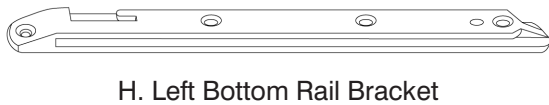
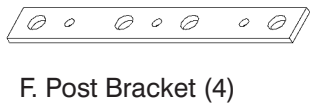
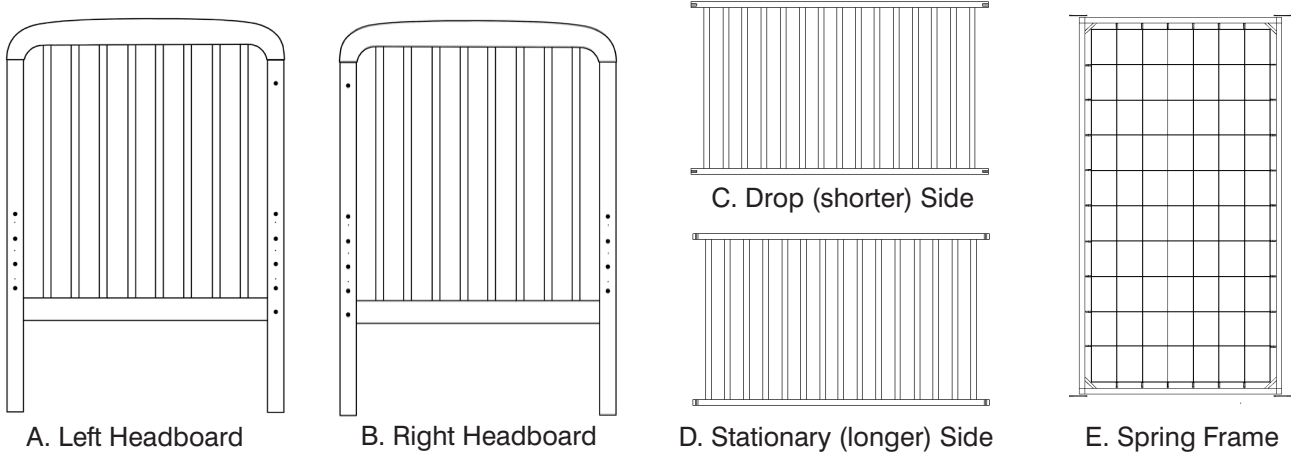


Alpha Crib (M0591)- Assembly and Operation Manual

Congratulations on purchasing a Million Dollar Baby Product. This crib will provide many years of service if you adhere to the following guidelines for assembly, maintenance, and operation. This crib is for residential use only. Any institutional use is strictly prohibited.

Please be sure to follow the instructions for proper assembly. Use a Phillips head screwdriver for assembling the crib in addition to the Allen wrench included in the hardware box. Do not use power screwdrivers. All of our cribs are made from natural woods. Please understand that natural woods have color variations which are the result of nature and not defects in workmanship.

DO NOT SUBSTITUTE PARTS. ALL MODELS HAVE THE SAME QUANTITY OF PARTS AND HARDWARE. YOUR MODEL MAY LOOK DIFFERENT FROM THE ONE ILLUSTRATED DUE TO STYLISTIC VARIATIONS.

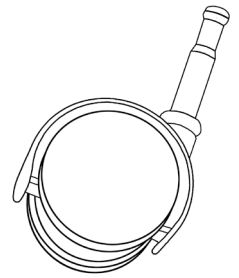
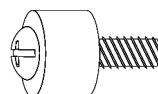
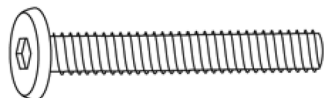
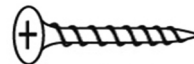
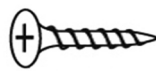
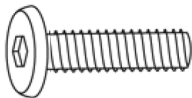


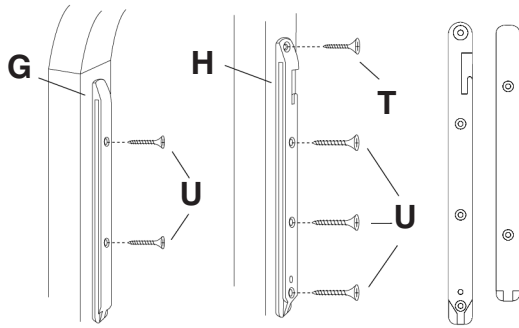
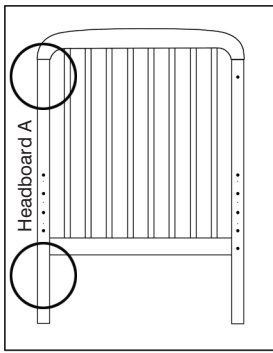
Tools Needed
(not included)



Phillips
screwdriver

HARDWARE

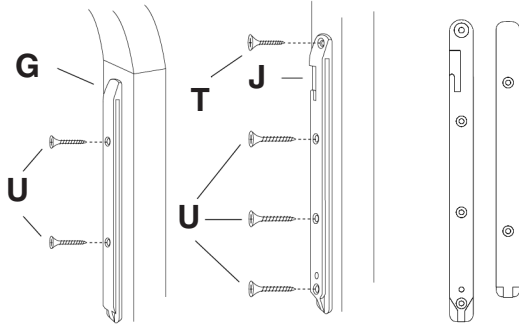
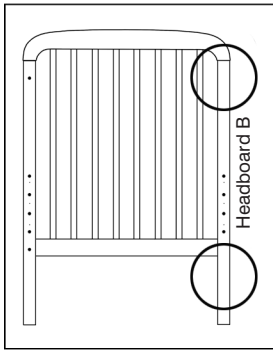




STEP 1.

Use two screws (U) to fasten the top rail bracket (G) to the top left of the headboard (A) as shown. The headboard (A) has pre-drilled holes.

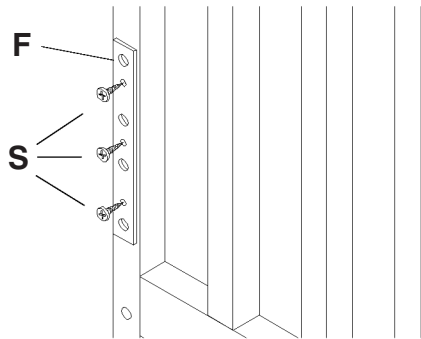
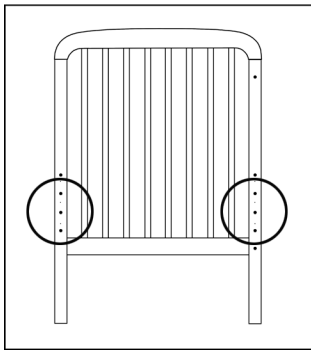
Attach the left bottom rail bracket (H) to the bottom left side of the headboard (A). Use 1 (T) screw in the upper-most hole and three (U) screws in the remaining holes. Be sure to line up the bottom hole of the bracket (H) with the bottom-most pre-drilled hole on the headboard.



STEP 2.

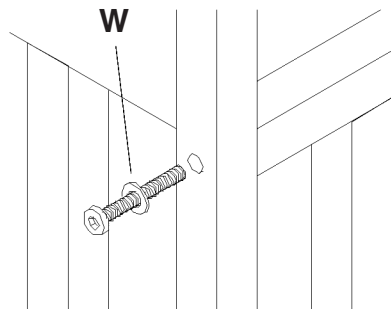
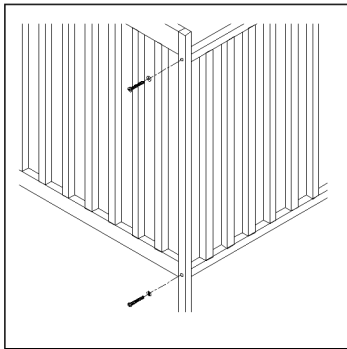
Use two screws (U) to fasten the top rail bracket (G) to the top right of the headboard (B) as shown. The headboard (B) has pre-drilled holes.

Attach the right bottom rail bracket (J) to the bottom drop side of the headboard (B). Use 1 (T) screw in the upper-most hole and three (U) screws in the remaining holes. Be sure to line up the bottom hole of the bracket (J) with the bottom-most pre-drilled hole on the headboard.



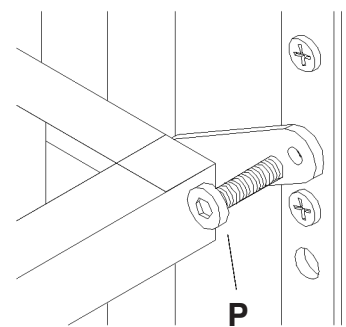
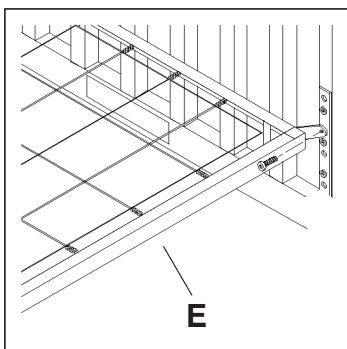
STEP 3.

Attach the two post brackets (F) to each headboard (A) & (B) into the pre-drilled holes in the mid-section using three screws (S) for each bracket.



STEP 4.

Attach the stationary side (D), the longer side, to one of the headboards using two 2" Allen head bolts and washers (R) & (W). Tighten securely with the supplied Allen wrench (Y). If your crib was supplied with Phillips head bolts, use your Phillips head screwdriver to tighten the bolts. Attach the other headboard to the stationary side in the same manner.



STEP 5.

Carefully swing out the four hangers at the corners of the spring frame (E). Attach the spring frame **FLAT SIDE UP**. Start at the highest level and adjust as needed. Lower the spring frame as your child grows.

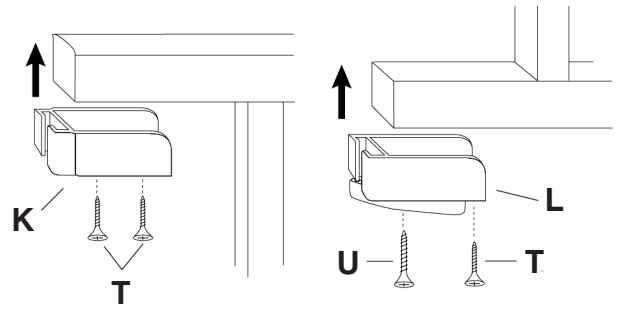
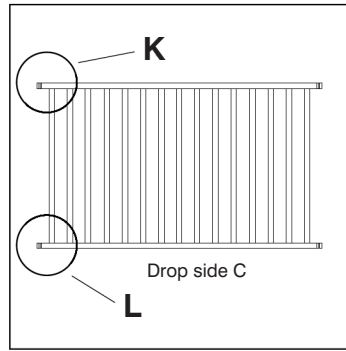
Bolt the spring frame (E) to the brackets using four 3/4" Allen head bolts (P) and tighten securely with the Allen wrench (Y).

Make sure the spring frame is level.

STEP 6.

Attach the top rail shoe (K) to the top left edge of the drop side (C) with two wood screws (T) into the pre-drilled holes.

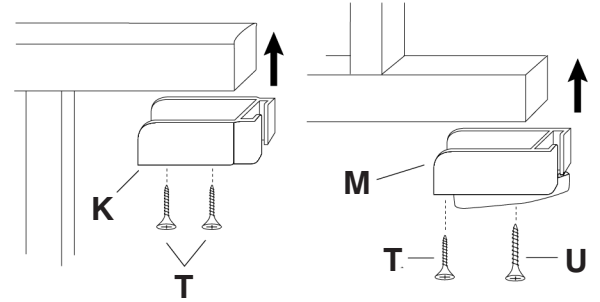
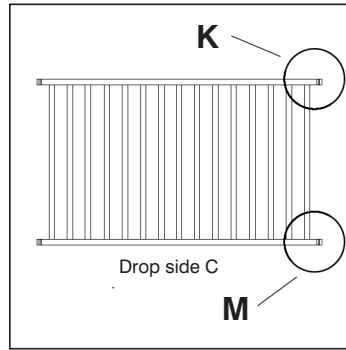
Attach the bottom rail shoe (L) to the left edge of the drop side (C) using one wood screw (T) and one (U) as shown at right.



STEP 7.

Attach the top rail shoe (K) to the top right edge of the drop side (C) with two wood screws (T) into the pre-drilled holes.

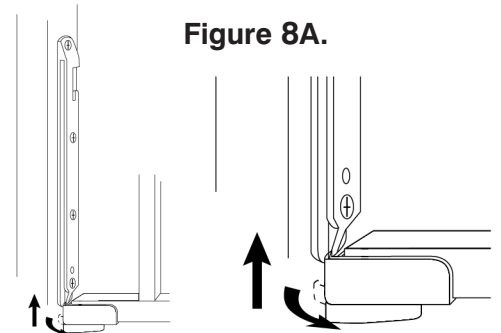
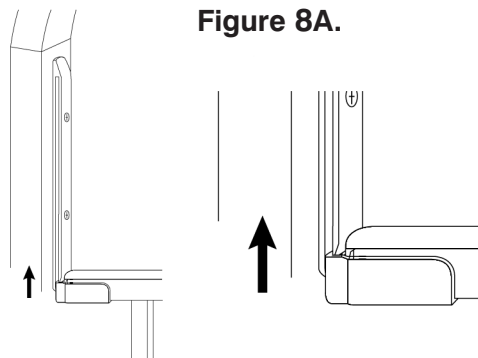
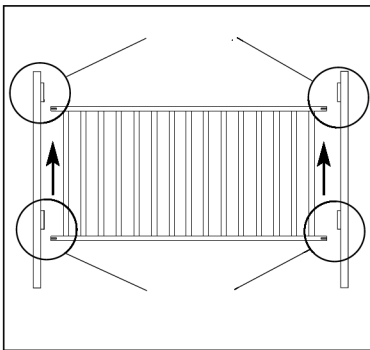
Attach the bottom rail shoe (M) to the right edge of the drop side (C) using one wood screw (T) and one (U) as shown at right.



STEP 8.

Line up the drop side rail shoes with the rail brackets as shown in figure 8A and 8B.

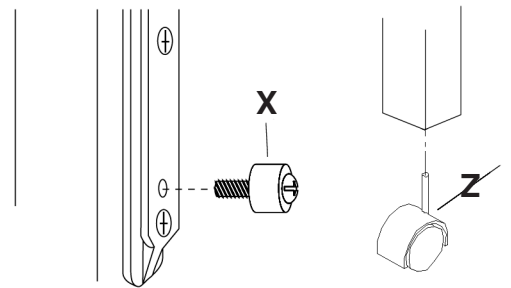
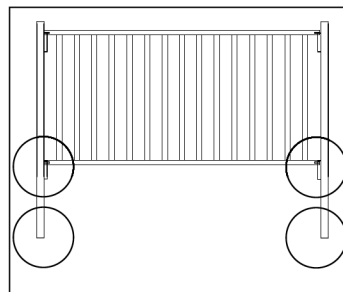
Pull the release tab outwards on both bottom rail shoes (L) & (M) before you slide the drop side upwards as shown in figure 8B. Pull the drop side up until it locks.



STEP 9.

Install the rail stops (X) into the rail brackets (H) & (J). Do not over-tighten.

Insert the casters into the sockets on the bottom of each corner post. Press firmly until they snap into place. Be sure the casters can turn freely.



STEP 10.

To lower the drop side: lift the drop side up and push in the bottom edge to unlock. Then gently push the drop side down and it will release.

Before using your crib, please read all cautionary statements on the last page of these instructions.

Before placing your mattress in the crib, you can make your own mattress protector by cutting the cardboard packing insert to 27"x 51". Place it on the spring frame under the mattress to extend the life of the mattress.

**KEEP THIS MANUAL IN A SAFE PLACE
FOR FUTURE REFERENCE.**

Please refer to the label (sample below) on the inside face of the headboard. Record the model/ item number and serial number of your crib, the name of the store where you made the purchase, the date of purchase and the wood finish in the box to the lower right.

“CAUTION: ANY MATTRESS USED IN THIS CRIB MUST BE AT LEAST 27 1/4 INCHES BY 51 5/8 INCHES WITH A THICKNESS NOT EXCEEDING 6 INCHES.”

MODEL/ITEM NUMBER	XXXX
SERIAL NUMBER	XXXXXXXXX
DATE OF MANUFACTURE	XX/XXXX

THIS PRODUCT CONFORMS TO THE APPLICABLE REGULATIONS OF THE CONSUMER PRODUCTS SAFETY COMMISSION.



Million Dollar Baby
Resolutely Yours
855 WASHINGTON BLVD.
MONTEBELLO, CA 90640

SAMPLE LABEL

WE WILL ASK YOU FOR YOUR SERIAL NUMBER FOR ALL WARRANTY AND REPLACEMENT PART REQUESTS. PLEASE REFER TO THE LAST PAGE OF THIS INSTRUCTION SHEET FOR WARRANTY INFORMATION. KEEP THIS MANUAL INSIDE THE PLASTIC HOLDER ATTACHED TO THE MATTRESS SUPPORT FOR FUTURE REFERENCE.

Model Number: _____

Serial Number: _____

Store Where Purchased: _____

Date of Purchase: _____

Wood Finish: _____



WARNING:
Failure to follow these warnings and assembly instructions could result in serious injury or death.

READ ALL INSTRUCTIONS BEFORE ASSEMBLING CRIB. KEEP THE MANUAL FOR FUTURE USE.



WARNING:

- Strings can cause strangulation! Do not place items with a string around a child's neck, such as hood strings or pacifier cords. Do not suspend strings over a crib or attach strings to toys.
- **DO NOT** place a crib near a window where cords from blinds or drapes may strangle a child.
- Keep wall decoration, especially those with strings, completely out of a child's reach.
- Before each usage or assembly, inspect crib for damaged hardware, loose joints, missing parts or sharp edges. **DO NOT** use the crib if any parts are missing or broken. Ask your dealer or contact Million Dollar Baby for replacement parts and instructional literature if needed. **DO NOT** substitute parts.
- Check fasteners periodically for tightness. Do not overtighten. This may cause distortion or breakage.
- When a child is able to climb out, reaches the height of 35 inches (90cm) or when the height of the side rail is less than 3/4 of the child's height, the child shall be placed in a youth or regular bed.
- If refinishing, use only a non-toxic finish specified for children's products.
- When a child is able to pull to a standing position, set the mattress to the lowest position and remove bumper pads, large toys and other objects that could serve as steps for climbing out.
- After raising sides, make sure latches are secure.
- Do Not leave child in crib with the sides lowered. Be sure side is in raised and locked position whenever child is in crib.

- Never use plastic shipping bags or other plastic films as mattress covers because they can cause suffocation.
- **DO NOT** use a water mattress with this crib.
- Replace teething rail(s) if damaged or loose.
- Use a crib as a crib, not as a play pen. Remember that a crib is not a substitute for a parent's supervision.
- Parents should ensure a safe environment for their child by checking the crib regularly before placing the child in the product. Please make sure that every component is properly and securely in place.
- When re-assembling the crib for your second child, please keep in mind that the screw holes will need to be filled in order for the screws to grip the wood, Talk to your local hardware store or lumber yard about how to do this properly.

Registering your product is even easier than ever. You can register your product on our website at www.milliondollarbaby.com

Care and Cleaning:

Do not scratch or chip the finish. Do not use abrasive chemicals for cleaning. Clean with mild soap on a soft rag. Rinse and dry thoroughly. If you ever refinish this furniture, be sure to use only a non-toxic finish specified for children's products. If you choose to refinish this furniture, the warranty will be voided.

IF YOU WOULD LIKE TO ORDER REPLACEMENT OR MISSING PARTS PLEASE VISIT US AT: WWW.MILLIONDOLLARBABY.COM

**OR YOU CAN CONTACT US BY MAIL
MILLION DOLLAR BABY
855 WASHINGTON BLVD.
MONTEBELLO, CA 90640**

ONE YEAR LIMITED WARRANTY:

We will replace any missing parts at the time of purchase or any defective item within a one year period from the date of original purchase. Please keep your receipt so that we may process your warranty request. This warranty only covers new units with original packaging and ownership, and is not transferable. It does not cover any used, secondhand or demo models.

This warranty does not cover any damaged or defective parts that result from installation and assembly, normal wear and tear, abuse, negligence, improper use or alteration to the finish, design, and hardware of the crib. The specific legal rights of this warranty may vary from state to state. Some states do not allow any exclusion or limitation of incidental damages. Some states do not allow limitation on how long an implied warranty lasts.